

- 1
- 2
- 3
- 4
- 5
- 6
- 7
- 8
- 9
- 10
- 11
- 12
- 13
- 14
- 15
- 16
- 17
- 18

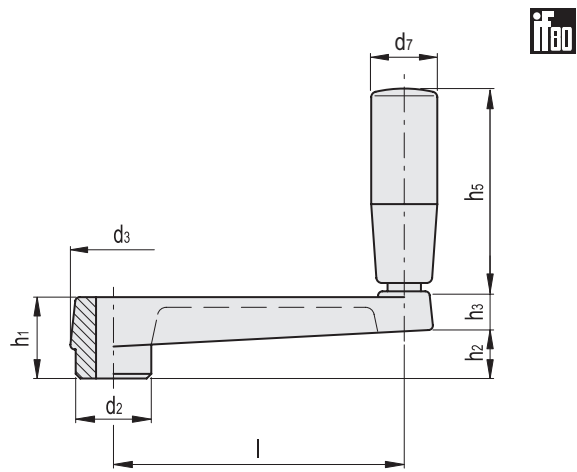
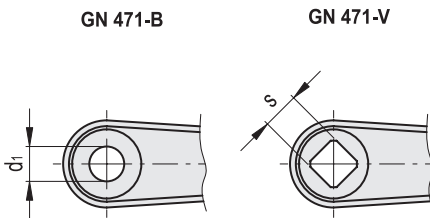
MATERIAL

Cast aluminium, epoxy resin coating, RAL 9005 black colour, matte finish.

STANDARD EXECUTIONS

Revolving handle in polyamide based (PA) technopolymer, black colour, matte finish.

- GN 471-B: H7 reamed hole.
- GN 471-V: H11 square hole.



Conversion Table	
1 mm = 0.039 inch	
mm	inch
80	3.15
100	3.94
125	4.92
160	6.30

METRIC

GN 471-B

Code	Description	l	d1 H7	d2	d3	h1	h2	h3	h5	d7	⚖
GN.22511	GN 471-80-B10	80	10	23	26	24	14	14	52.5	21	101
GN.22521	GN 471-100-B12	100	12	27	30	28	17	15	67.5	23	170
GN.22531	GN 471-125-B14	125	14	32	35	34	22	18	82.5	26	255
GN.22541	GN 471-160-B17	160	17	35	39	38	26	18	82.5	26	319

GN 471-V

Code	Description	l	sH11	d2	d3	h1	h2	h3	h5	d7	⚖
GN.22512	GN 471-80-V10	80	10	23	26	24	14	14	52.5	21	98
GN.22522	GN 471-100-V12	100	12	27	30	28	17	15	67.5	23	167
GN.22532	GN 471-125-V14	125	14	32	35	34	22	18	82.5	26	251
GN.22542	GN 471-160-V17	160	17	35	39	38	26	18	82.5	26	313